



## MV210-212/214

### Digital input module

### User guide

MV210-212/214\_3-EN-59115-2.3  
© All rights reserved  
Subject to technical changes and misprints

## Contents

<b>1. Introduction</b> .....	<b>3</b>
1.1. Abbreviations .....	3
1.2. Symbols and key words.....	3
1.3. Intended use .....	3
1.4. Limitation of liability.....	3
1.5. Safety .....	3
<b>2. Overview</b> .....	<b>5</b>
2.1. Basic features .....	5
2.2. Design and indication.....	5
<b>3. Specifications</b> .....	<b>7</b>
3.1. Specifications .....	7
3.2. Operating conditions .....	8
<b>4. Configuration and operation</b> .....	<b>9</b>
4.1. Connection with akYtecToolPro.....	9
4.1.1. Connection over USB .....	9
4.1.2. Connection over Ethernet .....	9
4.2. Real time clock .....	10
4.3. Battery .....	11
4.4. Ethernet .....	11
4.4.1. Network parameters setting using service button .....	11
4.5. Modbus Slave .....	12
4.6. Data logging .....	12
4.7. Digital inputs.....	13
4.7.1. Logic level detection .....	13
4.7.2. High-frequency pulses counter .....	13
4.7.3. Frequency and period measurement.....	14
4.7.4. Encoder signal processing .....	14
4.7.5. Counter reset.....	14
4.8. NTP protocol .....	14
4.9. MQTT protocol .....	14
4.9.1. Basics .....	14
4.9.2. Implementation .....	15
4.10. SNMP protocol .....	16
4.10.1. Basics .....	16
4.10.2. Implementation .....	16
4.11. Password .....	17
<b>5. Installation</b> .....	<b>18</b>
5.1. Mounting.....	18
5.2. Wiring .....	18
5.2.1. General information.....	19
5.2.2. Switch contact.....	20
5.2.3. PNP and NPN transistors.....	20
5.2.4. PNP and NPN encoders .....	21
5.2.5. Ethernet .....	21
<b>6. Factory settings restoration</b> .....	<b>23</b>

---

<b>7. Maintenance</b> .....	<b>24</b>
<b>8. Transportation and storage</b> .....	<b>25</b>
<b>9. Scope of delivery</b> .....	<b>26</b>
<b>Appendix A. Dimensions</b> .....	<b>27</b>
<b>Appendix B. Galvanic isolation</b> .....	<b>28</b>
<b>Appendix C. Battery replacement</b> .....	<b>29</b>
<b>Appendix D. Modbus Application</b> .....	<b>30</b>

## 1 Introduction

### 1.1 Abbreviations

**akYtecToolPro** – configuration software

**Modbus** – application layer messaging protocol for client/server communication between devices connected on different types of buses or networks, originally published by Modicon (now Schneider Electric), currently supported by an independent organization Modbus-IDA [www.modbus.org](http://www.modbus.org)

**NTP** – Network Time Protocol

**MQTT** – Message Queuing Telemetry Transport, publish-subscribe network protocol to transport messages between devices

**SNMP** – Simple Network Management Protocol, an Internet Standard protocol for collecting and organizing information about managed devices on IP networks and for modifying that information to change device behavior

**RTC** – real-time clock

**UTC** – Coordinated Universal Time, world-wide primary time standard

### 1.2 Symbols and key words



**WARNING**

**WARNING** indicates a potentially dangerous situation that could result in death or serious injuries.



**CAUTION**

**CAUTION** indicates a potentially dangerous situation that could result in minor injuries.



**NOTICE**

**NOTICE** indicates a potentially dangerous situation that could result in damage to property.



**NOTE**

**NOTE** indicates helpful tips and recommendations, as well as information for efficient and trouble-free operation.

### 1.3 Intended use

The device has been designed and built solely for the intended use described here, and may only be used accordingly. The technical specifications contained in this document must be observed. The device may be operated only in properly installed condition.

#### Improper use

Any other use is considered improper. Especially to note:

- The device may not be used for medical applications.
- The device may not be used in explosive environment.
- The device may not be used in atmosphere in which there are chemically active substances.

### 1.4 Limitation of liability

Our company does not bear any responsibility with respect to breakdowns or damages caused by using the product in a manner other than described in the Manual or in violation of the current regulations and technical standards.

### 1.5 Safety



**WARNING**

**Ensure the mains voltage matches the voltage marked on the nameplate. Ensure the device is provided with its own power supply line and electric fuse.**

**WARNING**

*The device terminals may be under a dangerous voltage. De-energize the device before working on it. Switch on the power supply only after completing all works on the device.*

**NOTICE**

*Supply voltage may not exceed 48 V. Higher voltage can damage the device. If the supply voltage is lower than 10 V DC, the device cannot operate properly but will not be damaged.*

**NOTICE**

*If the device is brought from a cold to a warm environment, condensation may form inside the device. To avoid damage to the device, keep the device in the warm environment for at least 1 hour before powering on.*

### 2 Overview

MV210-212/214 is an extension module with 32 digital inputs.

The module operates as a slave in Ethernet network with Modbus TCP protocol.

The device is intended for use in industrial automation for creation of decentralized control systems.

The module can be configured with the configuration software akYtecToolPro (free) over USB or

Ethernet interface (Sect. 4). The software can be downloaded from our homepage [www.akYtec.de](http://www.akYtec.de).

#### 2.1 Basic features

- 32 active digital inputs with counter function (Sect. 4.7)
- Device and input status indicators (Sect. 2.2)
- Dual Ethernet (Sect. 4.4, 5.2.5)
- Slave in Modbus network over Ethernet (Sect. 4.5)
- USB configuration interface (Sect. 4.1.1)
- Real-time clock (Sect. 4.2)
- Data logging and archiving (Sect. 4.6)
- DIN rail or wall mounting (Sect. 5.1)

#### 2.2 Design and indication

The device is designed in a plastic case for DIN rail or wall mounting (Sect. 5.1).

Plug-in terminal blocks enable quick and easy replacement of the device.

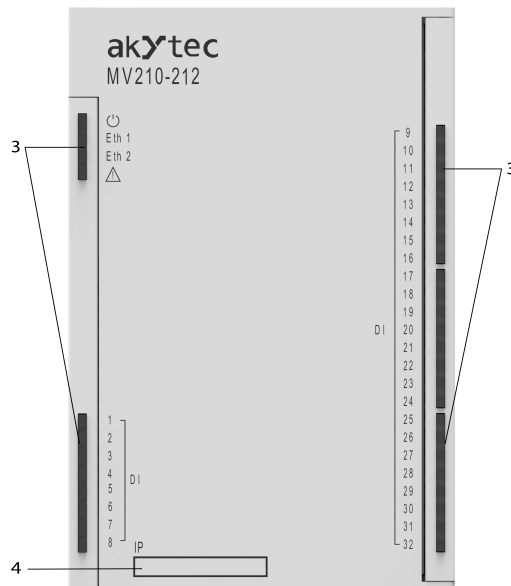


Fig. 2.1 Front view (closed cover)

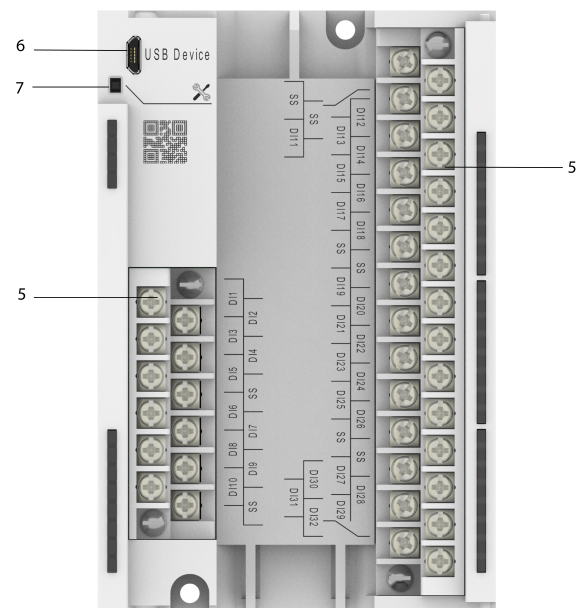


Fig. 2.2 Front view (open cover)

On the device top:

1. Power supply terminals
2. 2 Ethernet connectors (Sect. 4.4, 5.2.4)

On the front cover:

3. LED indicators (Tab. 2.1)
4. Recess for a sticker with IP address

Under the front cover:

5. Removable terminal block (Sect. 5.2)
6. microUSB programming connector (Sect. 4.4.1)
7. Service button

The service button can be used for the following functions:

- IP address assignment (Sect. 4.1.1)
- Factory settings restoration (Sect. 6)

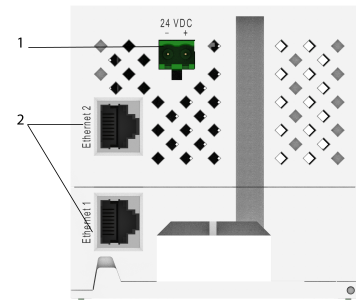


Fig. 2.3 Top view

Table 2.1 LEDs

LED	Color	LED State	Description
⏻	green	Off	Power off
		On	Power on
Eth 1	green	Off	Not connected
		Flashing	Data transfer over Ethernet 1 interface
Eth 2	green	Off	Not connected
		Flashing	Data transfer over Ethernet 2 interface
⚠	red	Off	No errors
		On	Program / configuration error
		Flashing (0.1 s / 2 s)	Low battery (Sect. 4.3, App. C)
		Flashing (0.1 s / 0.5 s)	No requests from master. Safe state activated
		Flashing (0.9 s / 1 s)	Hardware peripherals error (Flash, RTC, Ethernet Switch)
Input LEDs (32)	green	Off	LOW on the input
		On	HIGH on the input

### 3 Specifications

#### 3.1 Specifications

Table 3.1 General specifications

Electrical	
Power supply	24 (10 ... 48) V DC
Power consumption	6 W at 24 V DC
Polarity protection	Yes
Appliance class	II
Interfaces	
Data transfer	Double Ethernet 10/100 Mbps
Protocols	Modbus TCP MQTT SNMP NTP
Configuration interface	USB 2.0 (MicroUSB) Ethernet 10/100 Mbps
Digital inputs of MV210-212	
Inputs number	32
Input signal	contact sensor (requires external 24 V power supply) NPN / PNP transistor AB encoder
Functions	logical level detection high frequency pulses counter (only DI1-DI8) frequency measurement (only DI1-DI8) encoder signal processing (up to 3 encoders)
Pulse length, min, (DI1-8)	5 $\mu$ s (up to 100 kHz)
Pulse length, min, (DI9-20)	1 ms (up to 400 Hz)
LOW level (current), max.	1.2 mA
HIGH level (current), max.	5.5 mA
LOW level (voltage range).	0.0...6.1 V
HIGH level (voltage range)	8.8...30.0 V
Digital inputs of MV210-214	
Inputs number	32
Input signal	Switch contact (potential free) NPN transistor
Functions	Pulse counter Logical level detection
Pulse length, min.	1 ms ( $f \leq 400$ Hz)
Input lines (loop) resistance, min.	100 $\Omega$
Flash-memory (log file storage)	
File size, max.	2 kB
Number of log files, ,max.	1000
Logging interval, min.	10 s
Real time clock	
Accuracy	$\pm 3$ s/day at +25 °C $\pm 10$ s/day at -40 °C
Backup battery	CR2032
Mechanical	
Dimensions	42 × 124 × 83 mm
Weight	approx. 260 g



#### 3.2 Operating conditions

The module is designed for natural convection cooling. It should be considered when choosing the installation site.

The following environment conditions must be observed:

- clean, dry and controlled environment, low dust level
- closed non-hazardous areas, free of corrosive or flammable gases

*Table 3.2 Operating conditions*

<b>Condition</b>	<b>Permissible range</b>
Ambient temperature	-40...+55 °C
Transportation and storage	
Relative humidity	up to 95 % (at +35 °C, non-condensing)
Attitude	up to 2000 m ASL
IP code	IP20
Vibration / shock resistance	conforms to IEC 61131-2
EMC emission / immunity	conforms to IEC 61131-2

## 4 Configuration and operation

The device parameters can be set with akYtecToolPro or by command from a network Master. The complete parameter list is presented in Appendix D. You can also read it out from the device using the toolbar item **Parameter list** in akYtecToolPro.

The modules of Mx210 series have the following parameter groups:

- Real-time clock (Sect. 4.2)
- Battery (Sect. 4.3)
- Network (Sect. 4.4)
- Modbus slave (Sect. 4.5)
- Device status (Sect. 4.6)
- Data logging (Sect. 4.7)
- I/O groups, depending on model (Sect. 4.8, 4.9)

### 4.1 Connection with akYtecToolPro

The connection with akYtecToolPro running on the PC can be established over the interfaces USB (Sect. 4.1.1) or Ethernet (Sect. 4.1.2).

For configuration over Ethernet, the device must be powered on. When being configured over USB, the device is powered by USB and the main power supply is not required.

#### 4.1.1 Connection over USB

**NOTICE**

*The device must be powered off before being connecting to PC over USB.*

**NOTICE**

*When the device is powered over USB, the inputs, outputs and the Ethernet interfaces are disabled. If you need full control over the device, you have to connect the main power, but you must observe the following:*

*There is no galvanic isolation between digital inputs and USB interface. Equipment connected to these circuits must have the same ground potential or be galvanically isolated to avoid damage to the device.*

To configure the module over USB:


1. Connect the microUSB programming connector of the device (Fig. 2.2. Pos. 6) to PC over a USB-to-microUSB connection cable (not included).
2. Start akYtecToolPro.
3. In a new project, click the toolbar item **Add devices**
4. In an opened dialog, select the interface **STMicroelectronics Virtual COM Port**.
5. Select the protocol **akYtec Autodetection Protocol**.
6. Select **Find device**.
7. Enter the device address (factory setting: 1) and click **Search**.
8. If the correct device is found, select it and click the button **Add devices** to add the device to the project.
9. If the device is password protected, enter the correct password.

If you forgot the password, restore the factory settings (Sect. 6).

#### 4.1.2 Connection over Ethernet


To configure the module over Ethernet:

1. Connect the Ethernet connector of the device to PC over the Ethernet connection cable (not included).
2. Connect the power cable to the removable 2-terminal block and plug it into the device.
3. Power on the device.

4. Start akYtecToolPro.
  5. Click the toolbar item **Add devices** .
  6. In the opened dialog select the interface **Ethernet**.
  7. Select **Find device**.
  8. Enter the IP address (Factory setting: 192.168.1.99) and click **Search**.
  9. If the correct device is found, select it and click the button **Add devices** to add the device to the project.
  10. If the device is password protected, enter the correct password.
- If you forgot the password, restore the factory settings (Sect. 6).

#### 4.2 Real time clock

The module has a real-time clock (RTC) with a back-up battery (Sect. 4.3). The RTC time is counted as UTC in seconds, starting from 01/01/2000, 00:00.

To set the time, click the toolbar icon **Real-time clock**  (Fig. 4.1).

Use the button **Synchronize with PC** to synchronize the RTC with the PC clock.

Select your time zone from the drop-down list below. You can also set the time zone in the range -720...+840 min. with a 60 min. step in the parameter group **Real-time clock**.

Use the button **Save** to save the parameters in the device memory.

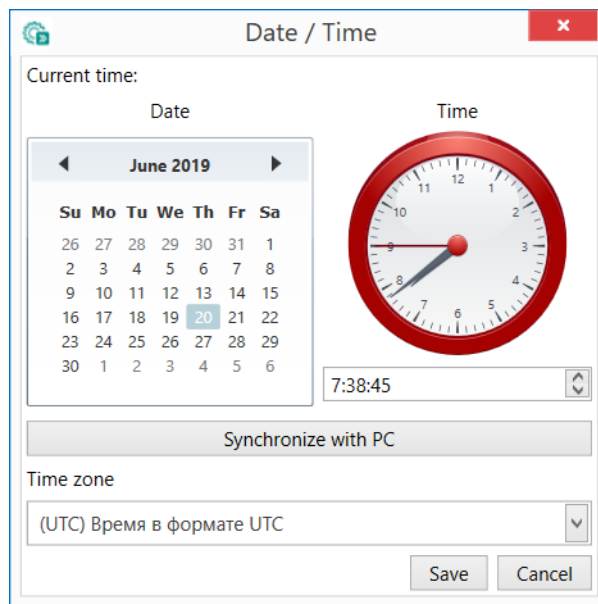


Fig. 4.1 Real-time clock parameters

The RTC is used for calculation of measuring timestamps (Sect. 4.8.5) and of **Time (ms)** parameter. **Time (ms)** is a cyclic time in milliseconds that starts with turning on and stops with turning off of the device. It is reset to zero at the end of cycle (4294967295 ms). The parameter is used for device diagnostic purposes.

To set the RTC time over Modbus network, proceed as follows:

1. Write the new time in the parameter **New time**.
2. Set the parameter **Apply new time** = 1 and hold the value for at least 1 second.
3. Set the parameter **Apply new time** = 0 and hold the value for at least 1 second.

The time value cannot be changed more than once per second.

### 4.3 Battery


The RTC is powered by the supply voltage. When the device is powered off, RTC is powered by a replaceable battery of type CR2032.

A fully charged battery can power the RTC for 5 years. At the temperatures near the permissible limits (Tab. 3.2), the battery life time is reduced.

The parameter **Voltage** in the group **Battery** shows the battery voltage in mV.

The battery status is updated each time after powering on and then every 12 hours.

The battery should be replaced if at least one of the following events has occurred:

- LED indicator  lights up for 0.2 s with a period of 2 s, which means that  $U_B \leq 2$  V and the battery has to be replaced as soon as possible, but the RTC can still work for about 2 weeks without power supply.
- The battery was last time replaced 6 years ago.

For battery replacement, see App. C.



#### NOTE

**If the battery voltage is less than 1.6 V, the configuration parameters are written to the battery-backed RAM and then transferred to the flash memory. The recording interval depends on the load of the module processor (at least 2 minutes).**

**Since the number of erase cycles of the flash memory is limited, it is not recommended to record the configuration parameters cyclically when the battery is low.**

### 4.4 Ethernet

To configure the Ethernet interface, open the node **Network > Ethernet** in the parameter tree.



Table 4.1 Ethernet parameters

Parameter	Description	Default value	Access
<b>IP address</b>	IPv4 Internet Protocol address	192.168.1.99	R
<b>Subnet mask</b>	IP address recognition area in the subnet	255.255.255.0	R
<b>Gateway</b>	IP address of the gateway	192.168.1.1	R
<b>DNS server 1</b>	Primary DNS server	77.88.8.8	RW
<b>DNS server 2</b>	Secondary DNS server	8.88.8.8	RW
<b>New IP address</b>	Enter new value	—	RW
<b>New subnet mask</b>	Enter new value	—	RW
<b>New gateway</b>	Enter new value	—	RW
<b>DHCP</b>	<b>On / Off / Service button</b>	<b>Service button</b>	RW

The Ethernet parameters can be set using:

- only main toolbar
- service button on the device (recommended if you need to configure several devices at once) (Sect. 4.4.1.)

To change Ethernet parameters using the main toolbar:

1. Enter new values for the parameters **New IP address**, **New subnet mask** and **New gateway**
2. set the parameter **DHCP** to **Off**
3. Click the toolbar item **Write parameters** 
4. Click the toolbar item **Restart device** 
5. If you want to check the new parameters or continue configuring the device, you must add it again to the project with the new network parameters.

If a dynamic IP address is required (e.g. to use a cloud service), set **DHCP** to **On**.

#### 4.4.1 Network parameters setting using service button

If you need to assign IP addresses for several modules, it is more comfortable to use service buttons on devices (Fig. 2.2. Pos. 7), previously having all the modules connected to the PC over Ethernet.

## 4 Configuration and operation

To change the Ethernet parameters using service buttons:

1. Connect all modules in series to the PC over Dual Ethernet ports (Fig. 2.3. Pos. 2)
2. Power on the modules
3. Start akYtecToolPro
4. Set the parameter **DHCP** to **Service button** on all modules
5. Click the toolbar item **IP addresses** <sup>IP</sup>
6. Set the IP address for the first module from the group
7. Press the service buttons on the modules sequentially, checking the result in the dialog box, where will be indicated on which module the button was pressed. The specified static IP address and other network parameters, if any have been changed, are assigned to this module. The address is automatically incremented by 1 for each subsequent device.

Only Ethernet parameters will be changed, other parameters will not be affected.

If you forgot the IP address, you can find it in akYtec Tool Pro by connecting the module to your computer using USB.

### 4.5 Modbus Slave

The module can operate in Modbus TCP network as a slave, using the port 502 and the standard address 1. The address can be changed in the group **Modbus Slave** (Tab. 4.2).

The device can handle maximum 4 Modbus TCP connections.

For details on Modbus working see Appendix D.

For Modbus protocol specifications see [Modbus specifications](#).

Table 4.2 Modbus Slave parameters

Parameter	Description	Range	Default value	Access
<b>Slave address</b>	Device address in a Modbus network	1...254	1	RW
<b>Safe state timeout</b>	Output safe state activation delay after communication interruption (Sect. 4.9.1)	0...60 s	30	RW

### 4.6 Data logging

An archive is saved as a set of encrypted log files. A log file consists of a set of records separated by line break characters (0x0A0D). Each record corresponds to one parameter and consists of fields separated by semicolon. The format of the record is described in Tab. 4.4.

Table 4.3 Record format

Field	Type	Size	Comment
Time	binary	4 Byte	In seconds, beginning from 01/01/2000, 00:00 (UTC+0)
Separator	string	1 Byte	Semicolon (;)
UID (parameter ID)	string	8 Byte	String of HEX characters with leading zeros
Separator	string	1 Byte	Semicolon (;)
Parameter value	string	parameter depending	String of HEX characters with leading zeros
Separator	string	1 Byte	Semicolon (;)
Parameter status	binary	1 Byte	1 – value correct 0 – value incorrect, further processing not recommended
New line	binary	2 Bytes	0x0A0D

Log files are stored in a built-in flash memory, formatted as a file system with encryption. For flash memory specifications see section “Flash memory” in Table 3.1.

If an archive overflows, the new entry will overwrite the oldest one in the archive.

The archiving parameters are described in Tab. 4.5.

To view all logged parameters, use the toolbar item **Device information** in akYtecToolPro.

The archive can be read with via Modbus TCP using function 20 (Tab. D.3). This function allows reading one or several records from one or several files in one request. For details on function usage see [Modbus specifications](#).

## 4 Configuration and operation

The file number in the Modbus request should be calculated as file ID + 4096. File indexing starts with zero. The parameter **Last log file ID** contains the ID of the archive file to which the data was last written.

The time zone is not contained in the file but can be read from the parameter **Time zone** (Tab. D.1).

Table 4.4 Archiving parameters

Parameter	Description	Range	Default value	Access
<b>Logging interval</b>	Time interval with which the values of the selected parameters will be recorded	10...3600 s	30	RW
<b>Number of files</b>	Maximum number of archive files	10...300	100	RW
<b>File size</b>	Log file size in Bytes	200...2048	2048	RW
<b>Last log file ID</b>	ID of the last written file	0...65535	—	R

### 4.7 Digital inputs

To configure the digital inputs, open the node **Digital inputs** in the parameter tree.

Digital input detects the logical level of the input signal (0/1). The states of the inputs are stored in a bitmask. The least significant bit of the mask corresponds to the input DI1.

Table 4.5 Input parameters

Parameter	Description	Range	Default value	Access
<b>Single</b>				
<b>Debounce filter</b>	Contact bounce suppression filter	<b>On / Off</b>	<b>Off</b>	RW
<b>Additional function value*</b>	Input operation mode	<b>Disabled / Pulse period measurement / High frequency pulse counter / Frequency measurement / Encoder</b>	<b>Disabled</b>	RW
<b>Pulse counter value</b>	Counter value	0...4294967295	—	R
<b>Frequency measurement interval</b>	Measurement of pulse frequency	<b>10 ms / 100 ms / 1 s / 10 s</b>	<b>10 s</b>	RW
<b>Counter reset</b>	Force counter reset	<b>On / Off</b>	<b>Off</b>	RW
<b>Group</b>				
<b>Input bitmask</b>	Input state bitmask	0...4294967295	—	R



#### CAUTION

To work with signals with a frequency of more than 40 Hz at a duty cycle of 0.5 or less, do not turn on the debounce, since the useful signal will be received for bounce and skipped.

#### 4.7.1 Logic level detection

Module inputs perform the logic level detection.

By polling, the module returns to the Modbus register a bit mask corresponding to the state of the inputs. The logic level detection is performed continuously and does not depend on the activation of the pulse counter mode, frequency measurement, or processing of the encoder signals.

#### 4.7.2 High-frequency pulses counter

High frequency pulse counter mode is available only for DI1 – DI8.

The maximum frequency of the input signal is 100 kHz with duty ratio of 0.5.

A 32-bit counter is used for each input. The values of the counter are read from the register corresponding to the input.

If the counter overflows, the value is reset. To force a counter reset, write 0 to input value reset register. The counter will be reset within 10 ms after writing the value 0.

## 4 Configuration and operation

### 4.7.3 Frequency and period measurement

DI1–DI8 inputs can be set to a frequency or period measurement mode.

Measurement ranges:

- for frequency measurement: 100 Hz ... 100 kHz;
- for period measurement: 0 ms... 10 ms

The value of the measurement period is set in the parameter **Frequency measurement interval**.

Possible measurement period values: 10 ms, 100 ms, 1 s, 10 s. Default value is 10 s.

A 32-bit register is used to display the measured values of the frequency or period.

### 4.7.4 Encoder signal processing

Up to three AB encoders can be connected to the module. Connection input numbers: 3-4, 5-6, 7-8.

The maximum frequency of the encoder signals is 100 kHz.

For each input, a 32-bit register is used, in which the accumulated number of pulses is located, taking into account the direction of rotation after reset, recorded by the encoder. If, after reset, the direction of rotation is reversed, the counting starts from the maximum and decreases by the number of accumulated pulses.

Input values are read from the register corresponding to this input or from the log file.

If the counter overflows, the value is reset. To force a counter reset, write 0 to input value reset register. The counter will be reset within 10 ms after writing the value 0.

### 4.7.5 Counter reset

If the input state counter overflows, then the corresponding register is reset automatically. To force the counter to zero, write the value 0 to the counter reset register.

## 4.8 NTP protocol

The module supports the synchronization of the RTC with an NTP server v4. Open the **NTP** group to configure NTP parameters.

Table 4.6 NTP parameters

Parameter	Description	Range	Default value	Access
<b>Enable</b>	Enable NTP connection	<b>On / Off</b>	<b>Off</b>	RW
<b>NTP server pool</b>	IP or URL of NTP pool. If the server is located in an external network, check the correct values for the parameters <b>Gateway</b> and <b>DNS (Network group)</b>	—	pool.ntp.org	RW
<b>NTP server 1</b>	IP or URL of the primary NTP server	—	192.168.1.1	RW
<b>NTP server 2</b>	IP or URL of the secondary NTP server	—	192.168.1.2	RW
<b>Synchronization period</b>	Time synchronization period in seconds. Ensure the set value is not less than the minimum value for the selected NTP server	5...65535 s	5	RW
<b>Status</b>	Server connection status	—	—	R

All specified NTP servers (including servers from the pool) have the same polling priority.

For more information see document: [NTP\\_MQTT\\_SNMP\\_protocols](#).

## 4.9 MQTT protocol

### 4.9.1 Basics

The MQTT protocol defines two types of network entities: a message **broker** and a number of clients. Broker is a server that receives all messages from the clients and then routes the messages to the appropriate destination clients. Client can be **publisher** or / and **subscriber**.

Published messages are organized in a hierarchy of **topics**. When a publisher has a new data to distribute, it sends a message with the data under the particular topic to the connected broker. The broker distributes the message to any clients that have subscribed to that topic.

## 4 Configuration and operation

A topic is a UTF-8 encoded character string that the broker uses to filter messages for each connected client. The topic consists of one or more topic **levels**. Each topic level is separated by a forward slash (topic level separator).

When a client subscribes to a topic, it can subscribe to the exact topic of a published message or it can use wildcards to subscribe to multiple topics simultaneously. There are two kinds of wildcard symbols: **single-level** (+) and **multi-level** (#) (see **Example**).

### 4.9.2 Implementation

The module supports the MQTT protocol (v3.1.1) and can be used as client. It can publish information about the status of its inputs and outputs and can be subscribed to topics which control its outputs.

To configure the MQTT parameters, open the **MQTT** group in the parameter tree.



#### NOTE

When using the MQTT protocol, it is recommended to set the parameter "Safe state timeout" ("Modbus Slave" group) to 0, since writing is usually event-driven and not cyclic in this case.

Table 4.7 MQTT parameters

Parameter	Description	Range	Default value	Access
<b>Presence detection. Enable</b>	If <b>On</b> , the module publishes the message "Online" to the topic specified in the parameter <b>Topic name</b> after switching on. If no messages are received from the module, the broker publishes an "Offline" message in this topic.	<b>On / Off</b>	<b>Off</b>	RW
<b>Presence detection. Topic name</b>	Topic name used for presence detection.	—	<b>MQTT status</b>	RW
<b>Connect to broker</b>	Set to <b>On</b> to establish connection	<b>On / Off</b>	<b>Off</b>	RW
<b>User name</b>	Used for device authentication on the broker side. Authentication is not used if the values are not specified.	—	—	RW
<b>Password</b>		—	—	RW
<b>Device name</b>	Device name used in the topic name (see Example)	—	—	RW
<b>Broker address</b>	Broker IP or URL. If the broker is located in an external network, check the correct values for the parameters <b>Gateway</b> and <b>DNS</b> ( <b>Network</b> group)	—	—	RW
<b>Port</b>	Port for broken	0...65535	1883	RW
<b>Store last message</b>	If <b>On</b> , other clients subscribed to the module's topics will receive the latest messages from these topics.	<b>On / Off</b>	<b>Off</b>	RW
<b>Publishing interval</b>	Publishing interval in seconds	5...600	10	RW
<b>Quality of service</b>	<b>QoS0</b> - at most once <b>QoS1</b> - at least once <b>QoS2</b> - exactly once	<b>QoS0 / QoS1 / QoS2</b>	<b>QoS0</b>	RW
<b>Keep Alive</b>	Keep Alive interval in seconds	0...600	0	RW
<b>Status</b>	Broker connection status	—	—	R

Table 4.8 Topics

Parameter	Topic	Node	Function	Format
<b>Input bitmask</b>	MASK	DI	GET	UINT
<b>Pulse counter value</b>	COUNTER	DI1...DI32	GET	UINT

**Example:**



*Device* – device name specified in akYtecToolPro

1. Read the digital inputs bitmask

*MX210/Device/GET/DI/MASK*

Obtained value: 15 (HIGH on inputs 1-4)

2. Write the digital outputs bitmask

*MX210/Device/SET/DO/MASK*

Recorded value: 15 (outputs 1-4 set)

3. Single-level wildcard usage

*MX210/Device/GET+/COUNTER*

Obtained value: counter values of all digital inputs. The topic is equivalent to the group of topics:

*MX210/Device/GET/DI1/COUNTER*

*MX210/Device/GET/DI2/COUNTER*

*MX210/Device/GET/./COUNTER*

*MX210/Device/GET/DIn/COUNTER*

4. Multi-level wildcard usage

*MX210/Device/GET/#*

Obtained value: all module parameters available for reading. The topic is equivalent to a group of topics:

*MX210/Device/GET/DI/MASK*

*MX210/Device/GET/DI1/COUNTER*

*MX210/Device/GET/DI2/COUNTER*

*MX210/Device/GET/./COUNTER*

*MX210/Device/GET/DIn/COUNTER*

### 4.10 SNMP protocol

#### 4.10.1 Basics

The protocol is based on the Client / Server architecture, where clients are called **managers** and servers are called **agents**.

Managers can read (GET) and write (SET) agent parameters. Agents can send messages (**traps**) to managers about changes in any parameter.

Each agent parameter has a unique identifier (OID – object identifier), which is a sequence of numbers separated by periods.

#### 4.10.2 Implementation

The module supports SNMP protocol (SNMPv1 and SNMPv2c versions) and can be used as an agent with GET and SET requests.

All module parameters are available via SNMP protocol. The list of parameters is given in App. D.



#### NOTE

**When using the SNMP protocol without GET requests, it is recommended to set the parameter "Safe state timeout" (Modbus Slave group) to 0, since writing is usually event-driven and not cyclic in this case.**


Table 4.9 SNMP parameters

Parameter	Description	Range	Default value	Access
<b>Enable</b>	Enable SNMP connection	<b>On / Off</b>	<b>Off</b>	RW
<b>Read community</b>	Password for read access	—	<b>public</b>	RW

Parameter	Description	Range	Default value	Access
<b>Write community</b>	Password for write access	—	<b>private</b>	RW
<b>Trap IP address</b>	IP address to which the trap will be sent in case of changing the mask of the digital inputs (modules with digital inputs only)	—	10.2.4.78	RW
<b>Trap port</b>	Port number to which the trap will be sent	0...65535	162	RW
<b>SNMP version</b>	Protocol version	<b>SNMPv1 / SNMPv2</b>	<b>SNMPv1</b>	RW

For more information see document: [NTP\\_MQTT\\_SNMP\\_protocols](#).

#### 4.11 Password

You can use password to protect the configuration parameters of the device from an unauthorized access. To set the password, use the toolbar item **Password**  or the same item in the device context menu. There is no password by default.

If you forgot the password, restore the factory settings (Sect. 6).

## 5 Installation

### 5 Installation

The safety requirements from the section 1.5 must be observed.

#### 5.1 Mounting

The device is designed to be installed on DIN rail or using two screws on a mounting panel in an electric cabinet.

The operating conditions from the Sect. 3.2 must be considered when choosing the installation site. Dimensional drawings are given in Appendix A. Only the vertical positioning of the device is allowed.

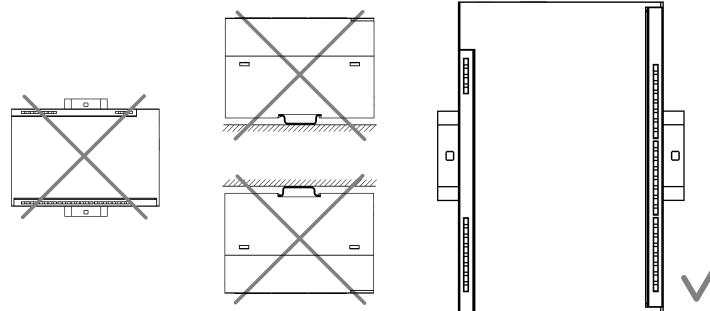


Fig. 5.1 DIN rail mounting

Device replacement (Fig. 5.2):

- switch off the power supply of the module and all connected devices
- open the front cover 1
- loosen the two screws 3
- remove the terminal block 2

Now you can replace the device.

Reverse this procedure after replacing the device.

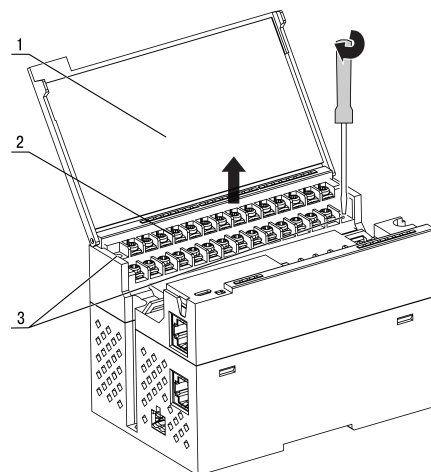


Fig. 5.2 Remove terminal block

#### 5.2 Wiring



##### WARNING

**The device must be powered off before connecting to peripheral equipment or PC. Switch on the power supply only after the wiring of the device has been completed.**



##### NOTICE

**Ensure that the input signal is connected to the correct input terminals and that the input configuration corresponds to the signal. Non-observance can cause the device damage.**



##### NOTE

**To ensure compliance with the EMC requirements:**

- **Signal cables should be routed separately or screened from the supply cables.**
- **Shielded cable should be used for the signal lines.**

## 5 Installation

### 5.2.1 General information

Power supply terminals and Ethernet interfaces are placed on the top of the device (Fig. 2.3. Pos. 1). Mating plug for the power supply is included.

Terminal assignments are given in Fig. 5.3 and Tab. 5.1.

Maximum conductor cross-section is 1.0 mm<sup>2</sup>.

Plug-in terminal block for power supply and removable terminal block for input connections enable quick and easy replacement of the device (see Fig. 5.2).

When wiring is completed, the wires should be placed in a special recess under the cover so that adjacent devices can be placed on the DIN rail close to each other.

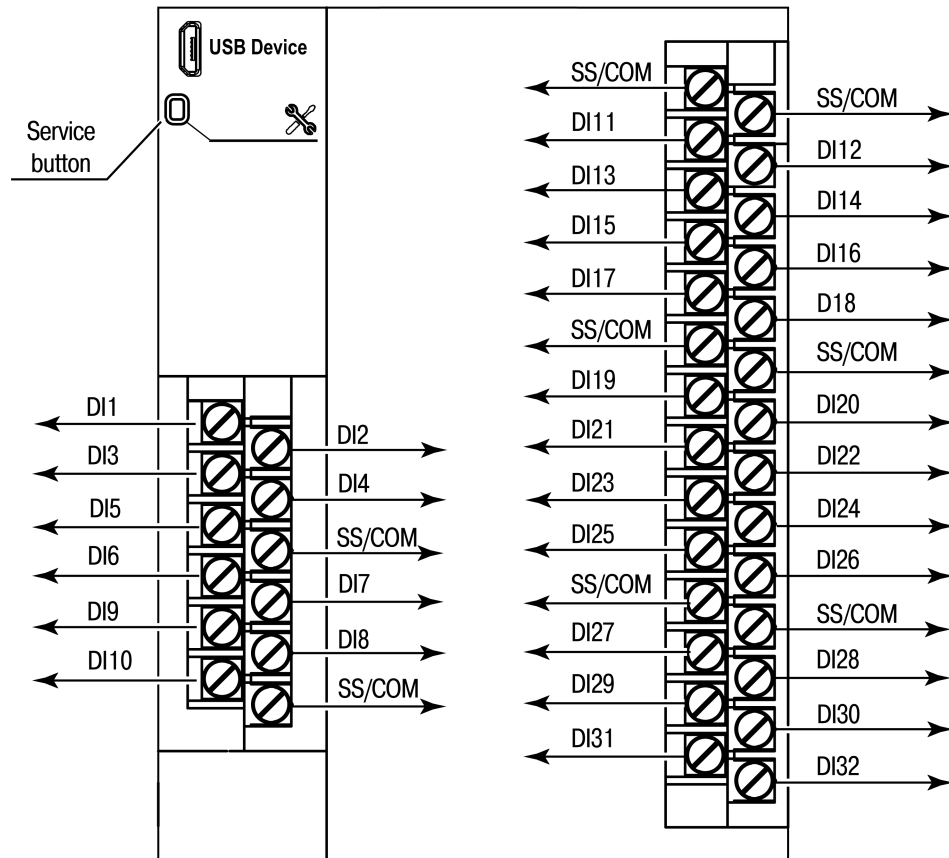


Fig. 5.3 Front view (open cover)

Table 5.1 Terminal assignments

Marking	Description
DI1...DI32	Input terminals
COM (MV210-204)	Common input power supply point
SS (MV210-202)	

## 5 Installation

### 5.2.2 Switch contact

**NOTICE**  
 The SS / COM circuits are connected in the device.

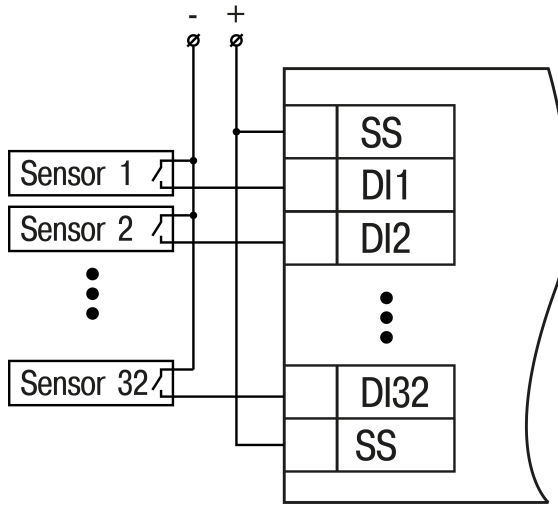


Fig. 5.4 Switch contacts wiring (MV210-212)

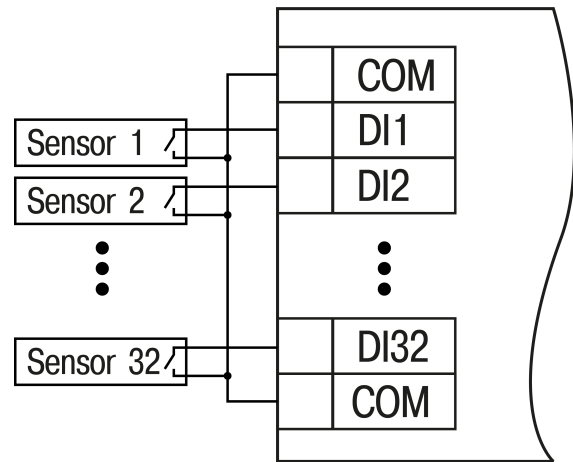


Fig. 5.5 Switch contacts wiring (MV210-214)

### 5.2.3 PNP and NPN transistors

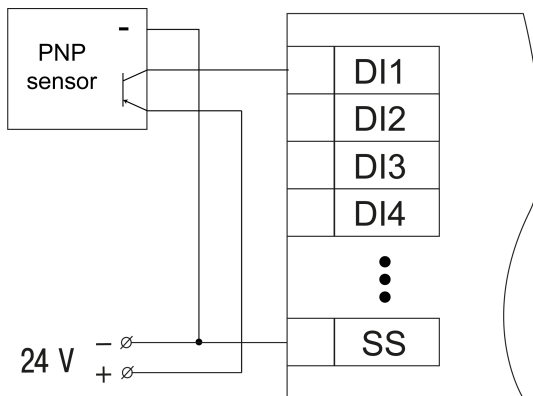


Fig. 5.6 3-wire sensor with PNP output (MV210-212)

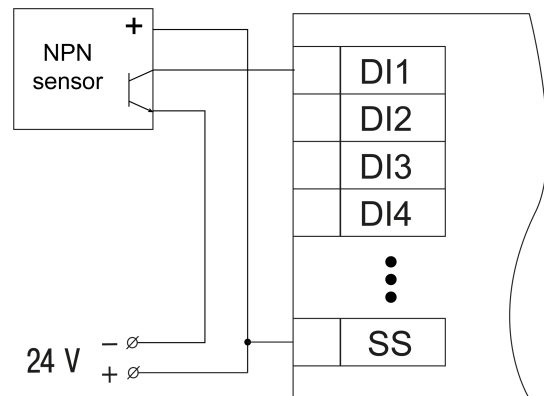


Fig. 5.7 3-wire sensor with NPN output (MV210-212)

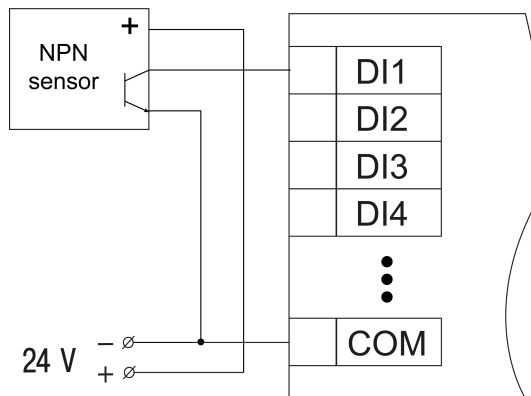


Fig. 5.8 3-wire sensor with NPN output (MV210-214)

5.2.4 PNP and NPN encoders

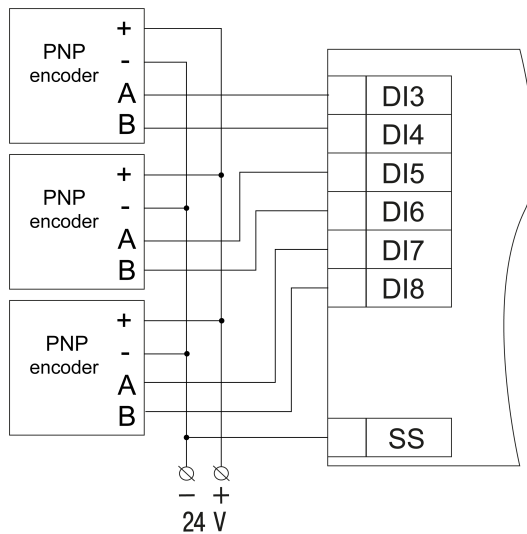


Fig. 5.9 AB encoder with PNP output

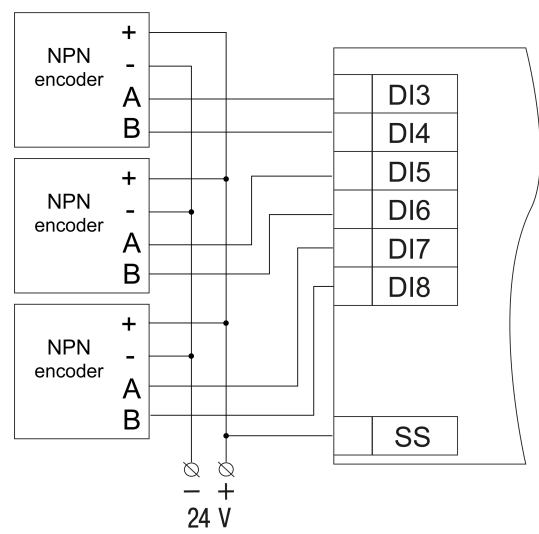


Fig. 5.10 AB encoder with NPN output

5.2.5 Ethernet

The Ethernet connection can be established in a star or daisy chain topology (Fig. 5.11, 5.12). It is recommended to seal the unused connector with a rubber plug (included).

Star topology:

- The maximum length of the network lines between modules is 100 m.
- Both Ethernet connectors can be used.

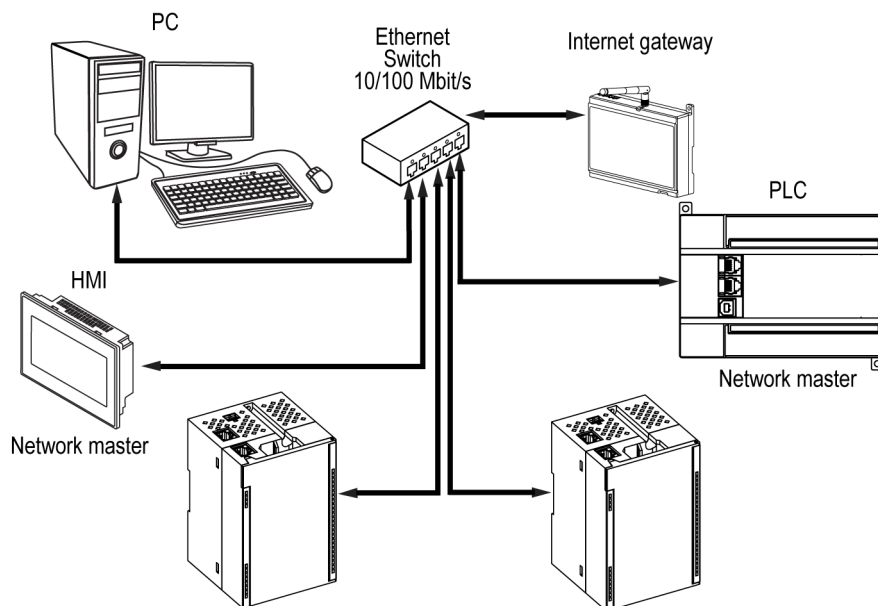


Fig. 5.11 Star topology

Chain topology:

- maximum section length is 100 m
- realized with two Ethernet connectors
- If the module fails (device error or power supply loss), the data is transferred directly from connector 1 to connector 2 (auto-bypass).

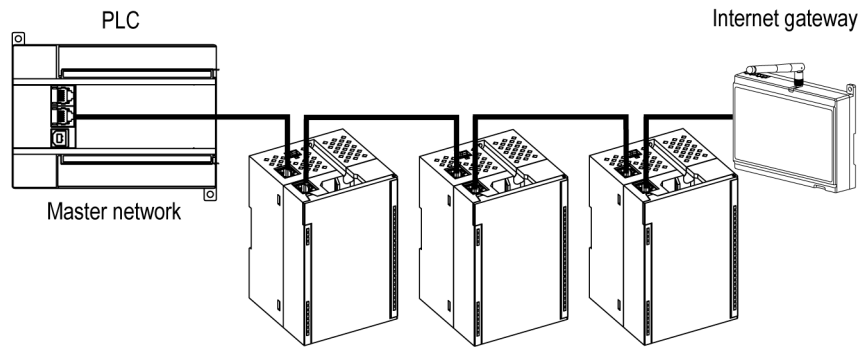


Fig. 5.12 Chain topology

### 6 Factory settings restoration

**NOTE**

*After restoring the factory settings all parameters but Ethernet will be reset to default values and the password deleted. The Ethernet parameters will not be affected.*

To restore the factory settings:

1. Power on the device
2. Open the front cover
3. Using a thin tool, press and hold the service button (Fig. 2.2. Pos. 7) for at least 12 seconds
4. Close the cover

The device will operate with the default parameters.



### 7 Maintenance



**WARNING**  
*Cut off all power before maintenance.*

The maintenance includes:

- cleaning of the housing and terminal blocks from dust, dirt and debris
- checking the device fastening
- checking the wiring (connecting wires, terminal connections, absence of mechanical damages).



**NOTICE**  
*The device should be cleaned with a damp cloth only. No abrasives or solvent-containing cleaners may be used.*

### 8 Transportation and storage

Pack the device in such a way as to protect it reliably against impact for storage and transportation. The original packaging provides optimum protection.

If the device is not taken immediately after delivery into operation, it must be carefully stored at a protected location. The device should not be stored in an atmosphere with chemically active substances.

The environmental conditions must be taken into account during transportation and storage.



#### **NOTICE**

***The device may have been damaged during transportation.***

***Check the device for transport damage and completeness!***

***Report the transport damage immediately to the shipper and akYtec GmbH!***

### 9 Scope of delivery

– MV210-212/214	1
– Ethernet connection cable	1
– 2-pole plug-in terminal block	1
– Rubber plug	1
– Short guide	1

Appendix A. Dimensions

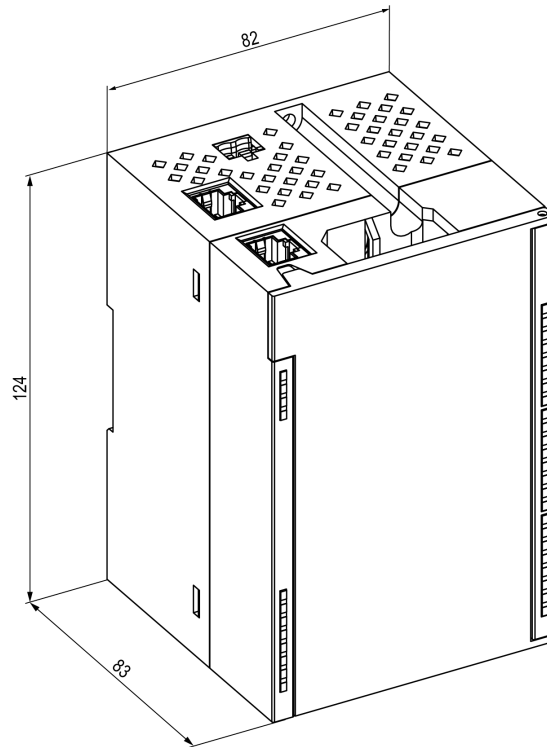


Fig. A.1

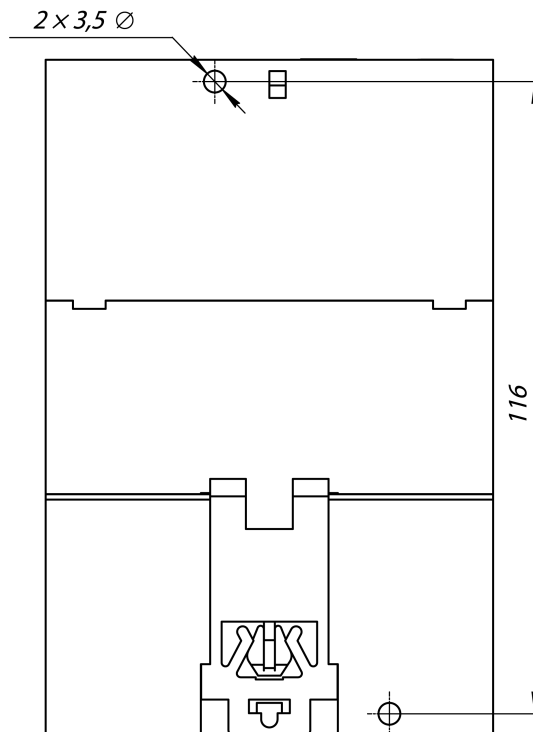


Fig. A.2

Appendix B. Galvanic isolation

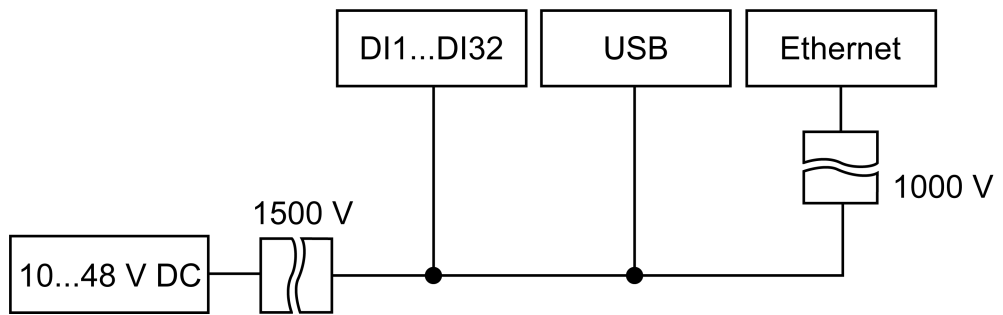


Fig. B.1 Galvanic isolation

### Appendix C. Battery replacement

To replace the battery, proceed as follows:

1. Power off the module and all connected devices
2. Remove the terminal blocks without disconnecting the connected wires (Fig. 5.2)
3. Remove the module from the DIN rail
4. Remove the front part the enclosure by opening the four side latches one-by-one using a flat screwdriver (Fig. C.1)
5. Replace the battery.

The replacement should not take longer than one minute. Otherwise, the real-time clock has to be adjusted anew.

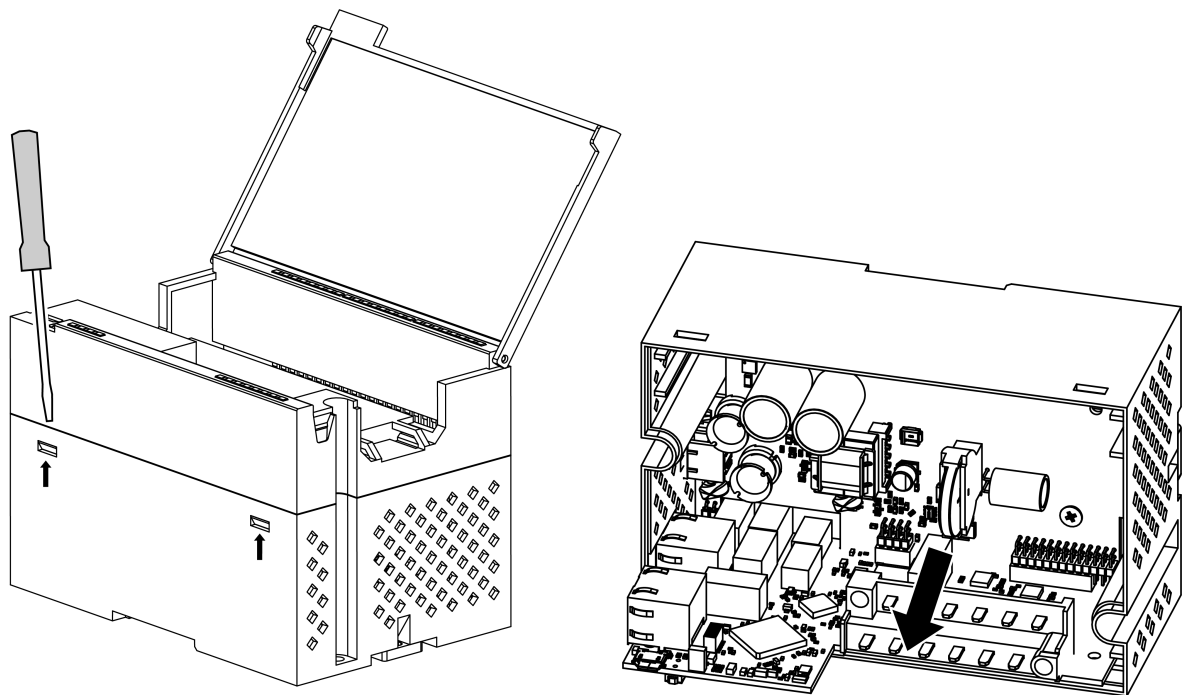


Fig. C.1 Battery replacement

## Appendix D. Modbus Application

Table D.1 – device parameters with register addresses

Table D.2 – used data types

Table D.3 – used Modbus functions

Table D.4 – possible data exchange errors

Table D.5 – function-specific errors

If an error occurs when receiving a request, the module sends a response to the Master with an error code.

If the request does not comply with the Modbus specification, it will be ignored.

Table D.1 Modbus register

Parameter	Value	Unit	Access	Address		Data type
				hex	dec	
<b>Device information</b>						
Device name (dev)	—	—	R	0xF000	61440	String32
Firmware version (ver)	—	—	R	0xF010	61456	String32
Platform name	—	—	R	0xF020	61472	String32
Platform version	—	—	R	0xF030	61488	String32
Hardware version	—	—	R	0xF040	61504	String32
Additional text information	—	—	R	0xF048	61512	String32
S/N	—	—	R	0xF084	61572	String32
MAC address	—	—	R	0xF100	61696	UINT48
<b>Real-time clock</b>						
Time	—	s	R	0xF080	61568	DATETIME
Time zone	—	min	RW	0xF082	61570	TIMEZONE
Time (ms)	0...4294967295	ms	R	0xF07B	61563	UINT32
New time	—	s	RW	0xF07D	61565	DATETIME
Apply new time	0 – off / 1 – on	—	RW	0xF07F	61567	UINT16
<b>Network / Ethernet</b>						
IP address	—	—	R	0x001A	26	UINT32
Subnet mask	—	—	R	0x001C	28	UINT32
Gateway	—	—	R	0x001E	30	UINT32
DNS server 1	—	—	RW	0x000C	12	UINT32
DNS server 2	—	—	RW	0x000E	14	UINT32
New IP address	—	—	RW	0x0014	20	UINT32
New subnet mask	—	—	RW	0x0016	22	UINT32
New gateway	—	—	RW	0x0018	24	UINT32
DHCP	0 – off 1 – on 2 – service button	—	—	0x0020	26	UINT16
<b>Battery</b>						
Voltage	0...3300	mV	R	0x0321	801	UINT16
<b>Modbus Slave</b>						
Safe state timeout	0...60	s	RW	0x02BC	700	UINT8
<b>Data logging</b>						
Logging interval	10...3600	s	RW	0x0384	900	UINT16

Parameter	Value	Unit	Access	Address		Data type
				hex	dec	
<b>Digital inputs / Single</b>						
D11 Additional function value*	0 – Disabled 1 – Pulse period measurement 2 – High frequency pulse counter 3 – Frequency measurement 4 – Encoder	—	RW	0x0040	64	UINT16
...	...	...	...	...	...	...
D18 Additional function value*	0 – Disabled 1 – Pulse period measurement 2 – High frequency pulse counter 3 – Frequency measurement 4 – Encoder	—	RW	0x0047	71	UINT16
D11 Debounce filter	0 – off / 1 – on	—	RW	0x0060	96	UINT16
...	...	...	...	...	...	...
D132 Debounce filter	0 – off / 1 – on	—	RW	0x007F	127	UINT16
D11 Frequency measurement interval*	0 – 10 ms 1 – 100 ms 2 – 1 s 3 – 10 s	—	RW	0x0080	128	UINT16
...	...	...	...	...	...	...
D18 Frequency measurement interval*	0 – 10 ms 1 – 100 ms 2 – 1 s 3 – 10 s	—	RW	0x0087	135	UINT16
D11 Input value*	0...4294967295 – mode 1 10... 4294967295 ms – mode 2 100... 4294967295 Hz – mode 3 0...4294967295 – mode 4	—	R	0x00A0	160	UINT32
...	...	...	...	...	...	...
D18 Input value*	0...4294967295 – mode 1 10... 4294967295 ms – mode 2 100... 4294967295 Hz – mode 3 0...4294967295 – mode 4	—	R	0x00AE	174	UINT32
D19 Pulse counter	0...4294967295	—	R	0x00A0	176	UINT32
...	...	...	...	...	...	...
D132 Pulse counter	0...4294967295	—	R	0x00DE	222	UINT32
D11 Reset value	0 – off / 1 – on	—	RW	0x00E0	224	UINT16
...	...	...	...	...	...	...



Parameter	Value	Unit	Access	Address		Data type
				hex	dec	
DI20 Reset value	0 – off / 1 – on	—	RW	0x00FF	255	UINT16
<b>Digital inputs / Group</b>						
Input bitmask	0...4294967295	—	R	0x0033	51	UINT8
<b>NTP</b>						
Enable	0 – off / 1 – on	—	RW	0x1600	5632	UINT16
NTP server pool	—	—	RW	0x1601	5633	String32
NTP server 1	—	—	RW	0x1641	5697	UINT32
NTP server 2	—	—	RW	0x1643	5699	UINT32
Synchronization period	5...65535	s	RW	0x1645	5701	UINT16
NTP status	0 – off 1 – on 2 – synchronized	—	RW	0x1646	5702	UINT16
<b>MQTT</b>						
Connect to broker	0 – off / 1 – on	—	RW	0x1700	5888	UINT16
User name	—	—	RW	0x1728	5928	String32
Password	—	—	RW	0x1748	5960	String32
Device name	—	—	RW	0x1708	5896	String32
Broker address	—	—	RW	0x1769	5993	String32
Port	0...65535	—	RW	0x1703	5891	UINT16
Store last message	0 – off / 1 – on	—	RW	0x1707	5895	UINT16
Publishing interval	5...600	s	RW	0x1704	5892	UINT16
Quality of service	0 – QoS0 1 – QoS1 2 – QoS2	—	RW	0x1705	5893	UINT16
Keep Alive	0...600	s	RW	0x1768	5992	UINT16
Status	0 – off 1 – on 2 – connection error	—	R	0x1789	6025	UINT16
Enable	0 – off / 1 – on	—	RW	0x178A	6026	UINT16
<b>SNMP</b>						
Enable	0 – off / 1 – on	—	RW	0x1400	5120	UINT16
Read community	—	—	RW	0x1771	6001	String32
Write community	—	—	RW	0x1781	6017	String32
Trap IP address	—	—	RW	0x1401	5121	UINT32
Trap port	0...65535	—	RW	0x1403	5123	UINT16
SNMP version	0 – SNMPv1 1 – SNMPv2	—	RW	0x1404	5124	UINT16

\* Only for MV210-212

Table D.2 Data types

Data type	Size (registers)	Size (bytes)	Description
UINT8	1	1	Unsigned integer
UINT16	1	2	Unsigned integer
UINT32	2	4	Unsigned integer
UINT48	3	6	Unsigned integer
INT16	1	2	Signed integer
String16	8	16	String of characters (Win-1251 code page)
String32	16	32	String of characters (Win-1251 code page)

Data type	Size (registers)	Size (bytes)	Description
DATETIME	2	4	UINT32, time in seconds, starting from 01/01/2000, 00:00
TIMEZONE	1	2	INT16, difference between UTC and local time in minutes

Table D.3 Modbus functions

Code	Name	Description
03 (0x03)	Read Holding Registers	Read the contents of a contiguous block of holding register
04 (0x04)	Read Input Registers	Read from 1 to 125 contiguous input registers
06 (0x06)	Write Single Register	Write a single holding register
16 (0x10)	Write Multiple Registers	Write a block of contiguous registers (1 to 123 registers)
20 (0x14)	Read File Record	Read file as a set of records
21 (0x15)	Write File Record	Write file as a set of records

Table D.4 Modbus error codes

Code	Name	Description
01	Illegal Function	The received function code is not recognized or accepted by slave
02	Illegal Data Address	Data address of some or all the required entities are not allowed or do not exist in slave
03	Illegal Data Value	Value is not accepted by slave
04	Slave Device Failure	Unrecoverable error occurred while slave was attempting to perform requested action

Table D.5 Function-specific errors

Function code	Error code	Possible error causes
03	02	Number of requested registers is greater than the maximum possible (125)
		Nonexistent parameter request
04	02	Number of requested registers is greater than the maximum possible (125)
		Request for a nonexistent parameter
06	02	An attempt to write a parameter longer than 2 bytes
		An attempt to write a read-only parameter
		An attempt to write a parameter of a type not supported by this function. Supported types: – INT, UINT, max. 2 bytes – enumerated – REAL16
		Nonexistent parameter requested
	03	Parameter value is beyond the valid limits
16	02	Nonexistent parameter requested
		An attempt to write a read-only parameter
		Number of requested registers is greater than the maximum possible (123)
	03	No termination character (\0) in string parameter
		Size of the requested data is less than the size of the first or last parameter in the request
		Parameter value is beyond the valid limits
20	01	Invalid data size (valid range 0x07...0xF5)
	02	Not specified reference type

Function code	Error code	Possible error causes	
		Failed to open the file for reading (may be nonexistent)	
	03	Failed to move to the desired offset in the file	
	04		Error while deleting file on delete request
			Too much data requested (more than 250 bytes)
			Invalid record number (greater than 0x270F)
21		Invalid record length (greater than 0x7A)	
	01	Invalid data size (valid range 0x09...0xFB)	
	02		Not specified reference type
			Failed to open the file for writing
	04		Nonexistent file requested
			Read-only file requested
		Failed to write the required number of bytes	