

Interface adapter

General

The device PR-MI485 is an interface adapter UART-RS485 for connecting the programmable relays PR1XX to the RS485 network (Modbus Network). The power for the adapter is supplied via the UART Port. The device is designed for DIN rail or wall mounting.

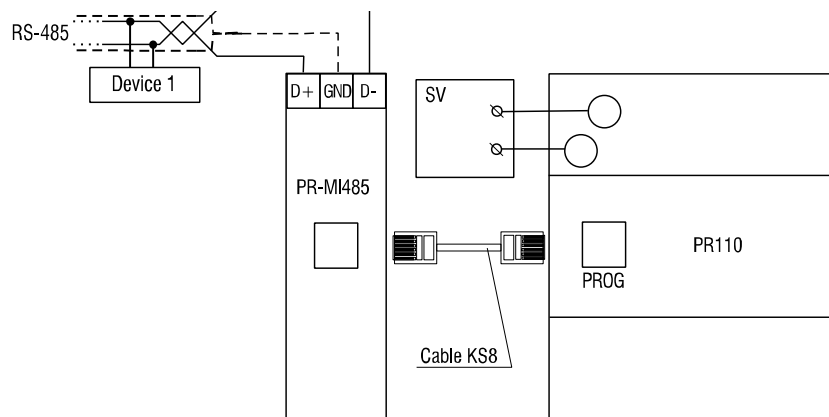
Description and function

Front side:

- LED „POWER“ – power supply indicator
- LED „CONNECTION“ – indicator of the data exchange on the RS485 Network
- 3 screw terminals – connection to RS485 Network
- RJ12 socket – connection to PR1XX

When the power supply is on, the relay recognizes the connected PR-MI485 adapter automatically and activates the data exchange according to Modbus Protocol (Slave).

Wiring



Specification

Table 1 Technical Data

Power supply	24±3 V DC
Power consumption, max.	1.0 W
UART interface	RJ12 socket
Baud rate	up to 115.2 kbit/s
Data bits	8
Parity	none
Stop bits	1, 2
Galvanic isolation	yes
Dielectric strength	500 V AC (1 minute)
Protection class	III
IP Code	IP20
Dimensions	28 x 77 x 111 mm
Weight	approx. 85 g
Ambient temperature	-20...55 °C
Storage temperature	-25...55 °C
Humidity	up to 80% (non condensing)

Safety precautions

The interface adapter PR-MI485 is manufactured for use only for the purposes described in this manual. Only devices mentioned in this manual may be connected to the adapter. The adapter may be operated only in accordance with the specification.

► **NOTICE** *Only properly qualified personnel may work on this device!
Insufficiently qualified personnel are endangered or endanger others. It can cause minor injuries, property or environmental damage.*

Scope of delivery

- Interface adapter PR-MI485 1
- Connecting cable KS8 1
- User guide 1