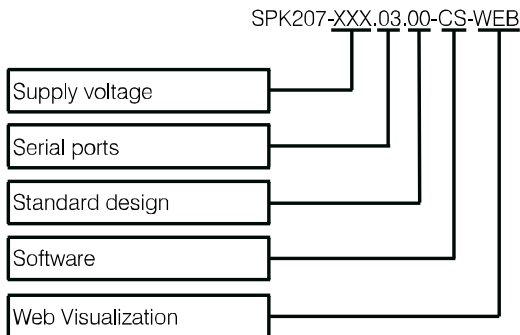


⚠ DANGER | Switch on the power supply only after the wiring of the device has been completely performed.

Ordering information



Supply voltage:	24	-	24 (18...32) V DC
	230	-	230 (90...264) V AC; 50 (47...63) Hz
Serial ports:	09	-	RS232, 2x RS232/RS485 configurable
Software installed:	CS	-	CODESYS on Linux
Web Visualization:	WEB	-	Integrated web visualization

Specifications

Table 1 General specifications

System	
CPU	ARM Cortex™-A8, 800 MHz
Embedded memory	SDRAM 128 MB, NAND Flash 128 MB, MRAM 128 Kb
Memory card support	SD (up to 16 Gb)
HMI	
Resolution	800 x 480
Colours	65536
Touch	resistive
Audio output	3.5 mm, 16 ohm
Display type	TFT 7"
Electrical	
Power supply	SPK207-230 230 (90...264) V AC; 50 (47...63) Hz
	SPK207-24 24 (18...32) V DC
Protection class	SPK207-230 II
	SPK207-24 III
Mechanical	
Weight	approx. 0.7 kg
Dimensions	227 x 152 x 59 mm

Table 2 Environmental conditions

Conditions	Permissible range
Ambient temperature	-20...+50 °C
Storage temperature	-25...+55 °C
Relative humidity	up to 80% with max. 35°C (non-condensing)
IP Code	IP20, front IP64
Altitude	up to 2000 m above sea level

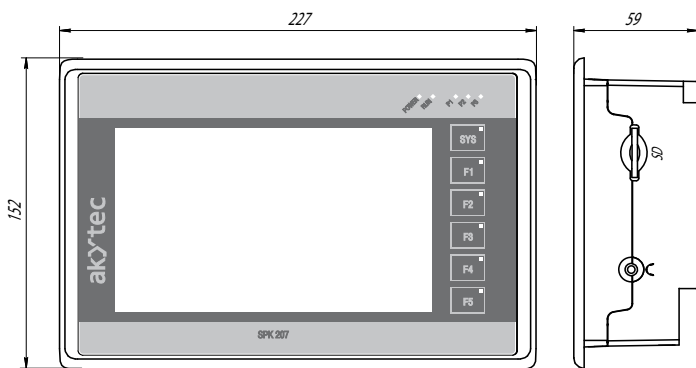


Fig. 1 SPK207 dimensions

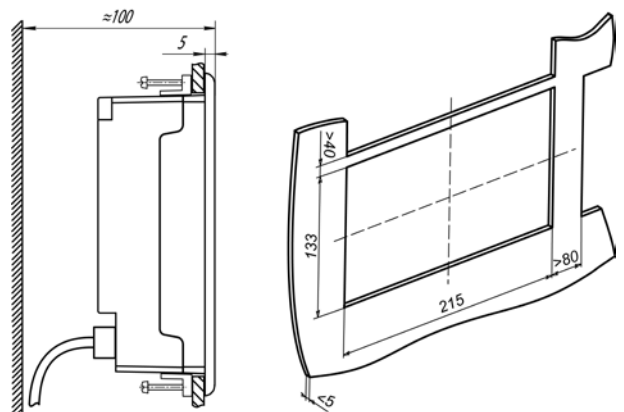


Fig. 2 SPK207 Mounting dimensions

Mounting

- The mounting panel must be accessible from both sides.
- The device has been designed for natural convection cooling. Make sure that the cabinet provides sufficient clearance for natural convection.
- The mounting enclosure must provide a clean, dry and controlled environment.
- The seal contact surface must be clean and smooth, so that the protection IP65 can be provided.
- Make a cutout in the mounting panel for the device.
- Make sure that the device is provided with the mounting seal (see Fig 3).
- Fit the device into the cutout.
- Insert the 4 fastening clips into the slots on the top and the bottom of the device.
- Insert the screws and tighten them to fix the device (see Fig. 4). **Do not overtighten the screws!**
- Ensure the device is securely fastened.

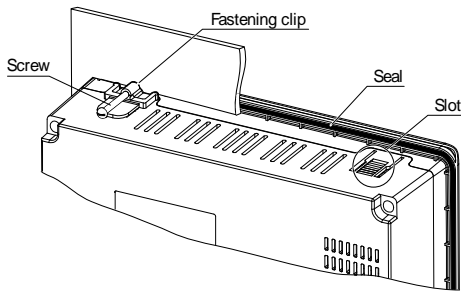


Fig. 3

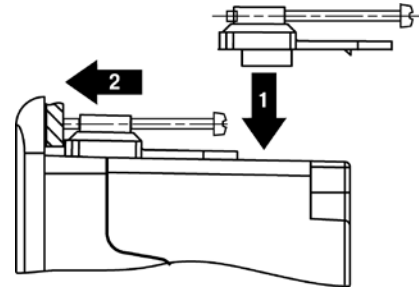


Fig. 4

Wiring

- ▶ **NOTICE** | Ensure that the device is provided with its own power supply line and electric fuse!
- ▶ **NOTICE** | The device is not provided with an ON/OFF switch. If the external switch is not installed, the device will start up (boot) as soon as it is connected to the power supply.
- ▶ **NOTICE** | Wire the 24 V DC power supply with the correct polarity. Wiring with incorrect polarity may result in damage or burning.
- ▶ **NOTICE** | Ensure that the functional ground (FE) is connected to the appropriate pin of the power supply terminal block (see Table 2). Functional grounding is required to meet EMC level immunity.
- ▶ **NOTICE** | Signal cables should be routed separately or screened from the supply cables.

Rear side connectors

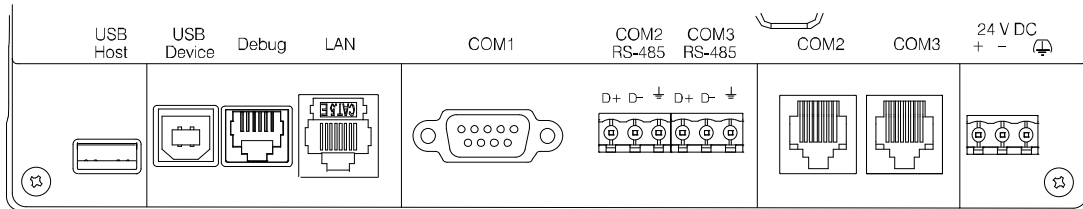


Table 3 Pin assignment

Pin number			
	1 2 3	1 8	1 8
	COM2, COM3 RS485	COM2, COM3 RS232 – RJ45	COM2, COM3 RS485 – RJ45
1	Data+(A)	-	-
2	Data-(B)	RTS	-
3	GND	GND	GND
4	-	TXD	-
5	-	RXD	-
6	-	-	D-(B)
7	-	CTS	-
8	-	-	D+(A)

Pin number		
	1 2 3	1 5 6 9
	SPK207-230	SPK207-24
1	L	+24 V DC
2	N	0 V
3	GND	GND
4	-	-
5	-	-
6	-	-
7	-	-
8	-	-
9	-	-
		COM1 (RS232)
		DCD
		RXD
		TXD
		DTR
		GND
		DSR
		RTS
		CTS
		RI

Maintenance:

The maintenance includes:

- cleaning of the housing and terminal blocks from dust, dirt and debris
- checking the fastening of the device
- checking the wiring (connecting leads, fastenings, mechanical damage).

The device should be cleaned with a damp cloth only. No abrasives or solvent-containing cleaners may be used. The safety information in section 3 must be observed when carrying out maintenance.

Transportation and storage:

Pack the device in such a way as to protect it reliably against impact for storage and transportation. The original packaging provides optimum protection.

If the device is not taken immediately after delivery into operation, it must be carefully stored at a protected location. The device should not be stored in an atmosphere with chemically active substances.

Permitted storage temperature: -25...+55 °C

Relative humidity: up to 80% (at +35°C, non-condensing)

▶ **NOTICE**

Transport damage, completeness

The device may have been damaged during transportation.

Check the device for transport damage and completeness!

Report the transport damage immediately to the shipper and akYtec GmbH!

Scope of delivery:

- SPK207 1
- Fasteners and screws (Set) 1
- 3-pole plug-in screw terminal block 3
- Ethernet Patch cable 1
- Short guide 1
- USB stick with software and documentation 1